

Application

These valves are used to operate double-acting cylinders. Pushing and holding the lever in either direction shifts the valve. When the lever is released, springs return the valve to its center position.

Mounting

These valves may be mounted in any position and are designed to be inline mounted or surface mounted using the through holes provided in the valve body.

Operation

Lever pulled (away from body) – Pressure at Inlet Port P is connected to Outlet Port B. Outlet Port A is connected to Exhaust Port EA.

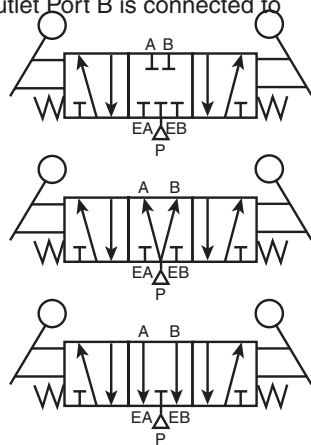
Lever pushed (toward body) – Pressure at Inlet Port P is connected to Outlet Port A. Outlet Port B is connected to Exhaust Port EB.

Normal Position –

Function 1 All ports blocked.

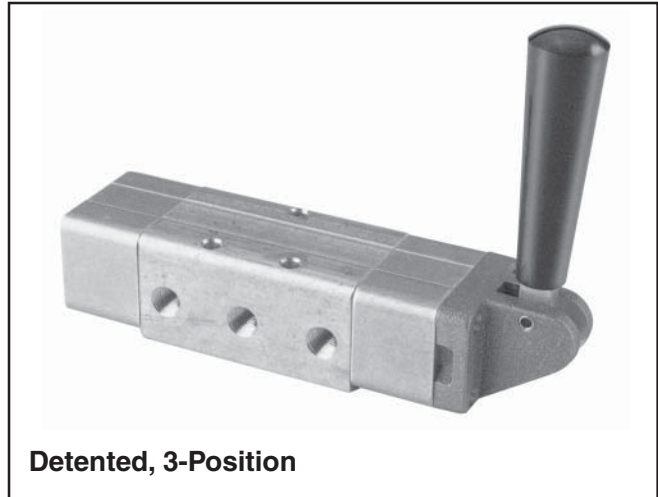
Function 2 Pressure at Inlet Port P is connected to Outlet Ports A & B.

Function 3 Pressure at Inlet Port P is blocked. Outlet Ports A & B are connected to Exhaust Ports EA & EB.



Model Selection Information

Port	Center Position		
	Function 1 Closed Center	Function 2 Pressure Center	Function 3 Exhaust Center
1/4"	53181 1000	53281 1000	53381 1000
3/8"	53181 2000	53281 2000	53381 2000



Application

These valves are used to operate double-acting cylinders. Pushing or pulling the lever shifts the valve. The valve remains detented in its last position until the lever is manually centered.

Mounting

These valves may be mounted in any position and are designed to be inline mounted or surface mounted using the through holes provided in the valve body.

Operation

Lever pulled last (away from body) – Pressure at Inlet Port P is connected to Outlet Port B. Outlet Port A is connected to Exhaust Port EA.

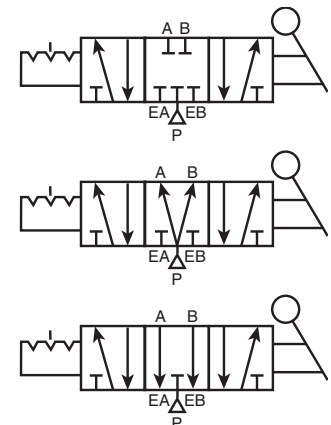
Lever pushed last (toward body) – Pressure at Inlet Port P is connected to Outlet Port A. Outlet Port B is connected to Exhaust Port EB.

Center Position –

Function 1 All ports blocked.

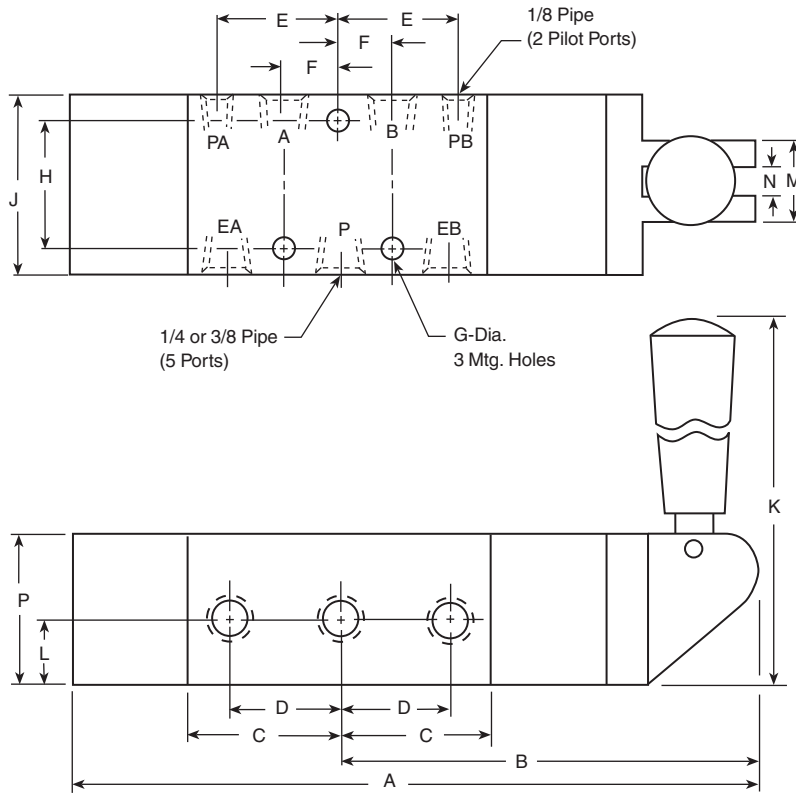
Function 2 Pressure at Inlet Port P is connected to Outlet Ports A & B.

Function 3 Pressure at Inlet Port P is blocked. Outlet Ports A & B are connected to Exhaust Ports EA & EB.



Model Selection Information

Port	Center Position		
	Function 1 Closed Center	Function 2 Pressure Center	Function 3 Exhaust Center
1/4"	53183 1000	53283 1000	53383 1000
3/8"	53183 2000	53283 2000	53383 2000



Dimensions:

	inches	mm
A[▲]	8.44	214
B	5.13	130
C	1.88	48
D	1.38	35
E	1.50	38
F	0.69	18
G	0.27	7
H	1.63	41
J	2.25	57
K	6.00	152
L	0.78	20
M	1.00	25
N	0.39	10
P	1.84	47

▲ Subtract 1.34" for 3-Position Detented Valves.